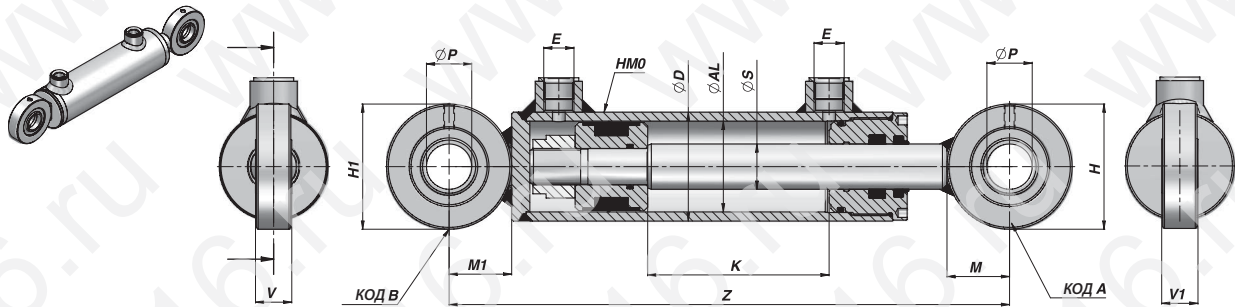
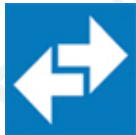


Гидроцилиндр двухстороннего действия в комплекте с проушинами

M250

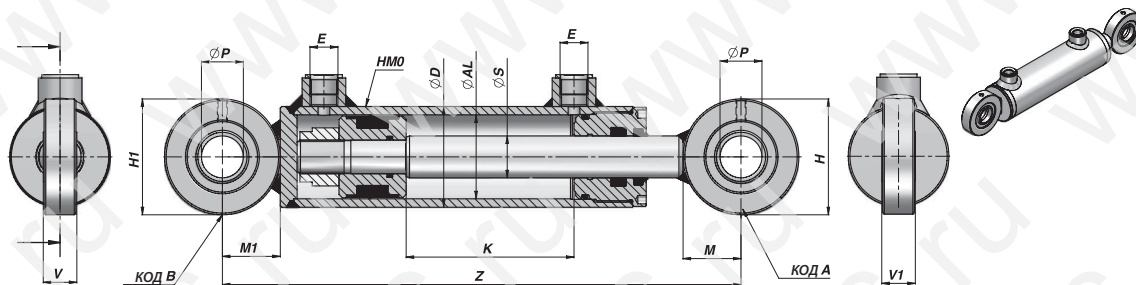


Обозначение	K	Z	кг	E BSP	ØP	H	V	M	H1	V1	M1	Код А	Код В	Обозначение	K	Z	кг
ØD 42 ØAL 32 ØS 20																	
HMC032200050	50	195	1,46														
HMC032200100	100	245	1,76														
HMC032200150	150	295	2,11														
HMC032200200	200	345	2,46														
HMC032200250	250	395	2,86														
HMC032200300	300	445	3,16														
HMC032200400	400	545	3,86														
HMC032200500	500	645	4,56														
ØD 50 ØAL 40 ØS 20														ØD 50 ØAL 40 ØS 25			
HMC1200100	100	280	2,53											HMC1250100	100	280	2,76
HMC1200150	150	330	2,93											HMC1250150	150	330	3,21
HMC1200200	200	380	3,31											HMC1250200	200	380	3,65
HMC1200250	250	430	3,71											HMC1250250	250	430	4,11
HMC1200300	300	480	4,11											HMC1250300	300	480	4,58
HMC1200350	350	530	4,53	1/4"	20	50	16	25	50	16	25			HMC1250350	350	530	5,05
HMC1200400	400	580	4,91											HMC1250400	400	580	5,52
HMC1200450	450	630	5,34											HMC1250450	450	630	5,98
HMC1200500	500	680	5,75											HMC1250500	500	680	6,46
														HMC1250550	550	730	6,86
														HMC1250600	600	780	7,39
ØD 60 ØAL 50 ØS 25														ØD 60 ØAL 50 ØS 30			
HMC2250100	100	309	4,04											HMC2300150	150	359	4,86
HMC2250150	150	359	4,58											HMC2300200	200	409	5,49
HMC2250200	200	409	5,09											HMC2300250	250	459	6,10
HMC2250250	250	459	5,60											HMC2300300	300	509	6,72
HMC2250300	300	509	6,10											HMC2300350	350	559	7,30
HMC2250350	350	559	6,69											HMC2300400	400	609	7,95
HMC2250400	400	609	7,15											HMC2300450	450	659	8,55
HMC2250450	450	659	8,05	3/8"	25	69	20	34,5	69	20	34,5			HMC2300500	500	709	9,17
HMC2250500	500	709	8,18											HMC2300550	550	759	9,79
HMC2250550	550	759	8,81											HMC2300600	600	809	10,39
HMC2250600	600	809	9,21											HMC2300700	700	909	11,60
														HMC2300800	800	1009	12,85
HMC2250800	800	1009	11,46											HMC2301000	1000	1209	15,32
HMC2251000	1000	1209	13,62														
ØD 70 ØAL 60 ØS 30														ØD 70 ØAL 60 ØS 35			
HMC3300100	100	329	5,57											HMC3350100	100	329	5,82
HMC3300150	150	379	6,30											HMC3350150	150	379	6,60
HMC3300200	200	429	6,95											HMC3350200	200	429	7,35
HMC3300250	250	479	7,62											HMC3350250	250	479	8,15
HMC3300300	300	529	8,30											HMC3350300	300	529	8,90
HMC3300350	350	579	8,95											HMC3350350	350	579	9,69
HMC3300400	400	629	9,65	3/8"	25	69	20	34,5	69	20	34,5			HMC3350400	400	629	10,47
HMC3300450	450	679	10,28											HMC3350450	450	679	11,22
HMC3300500	500	729	11,00											HMC3350500	500	729	12,00
HMC3300550	550	779	11,61											HMC3350550	550	779	12,75
HMC3300600	600	829	12,35											HMC3350600	600	829	13,56
HMC3300800	800	1029	15,01											HMC3350800	800	1029	16,62
HMC3301000	1000	1229	17,75											HMC3351000	1000	1229	19,68



Гидроцилиндр двухстороннего действия в комплекте с проушинами

M250



Обозначение	K	Z	кг	E	ØP	H	V	M	H1	V1	M1	Код А	Код В	Обозначение	K	Z	кг
ØD 70 ØAL 60 ØS 40														ØD 73 ØAL 63 ØS 40			
HMC3400200	200	429	8,00											HMC063400200	200	429	8,36
HMC3400250	250	479	8,89											HMC063400250	250	479	9,26
HMC3400300	300	529	9,78											HMC063400300	300	529	10,16
HMC3400350	350	579	10,65											HMC063400350	350	579	11,06
HMC3400400	400	629	11,54											HMC063400400	400	629	11,96
HMC3400450	450	679	12,39	3/8"	25	69	20	34,5	69	20	34,5	CAGEG06904225	CAGEG06904225	HMC063400450	450	679	12,86
HMC3400500	500	729	13,27											HMC063400500	500	729	13,76
HMC3400550	550	779	14,20											HMC063400550	550	779	14,66
HMC3400600	600	829	15,05											HMC063400600	600	829	15,56
HMC3400800	800	1029	18,57											HMC063400800	800	1029	19,26
HMC3401000	1000	1229	22,15											HMC063401000	1000	1229	22,86
ØD 80 ØAL 70 ØS 35														ØD 80 ØAL 70 ØS 40			
HMC4350100	100	335	6,97														
HMC4350150	150	385	7,83														
HMC4350200	200	435	8,62											HMC4400200	200	435	9,16
HMC4350250	250	485	9,48											HMC4400250	250	485	10,14
HMC4350300	300	535	10,28											HMC4400300	300	535	11,12
HMC4350350	350	585	11,14											HMC4400350	350	585	12,08
HMC4350400	400	635	11,88	3/8"	30	75	22	37,5	75	22	37,5	CAGEG07504730	CAGEG07504730	HMC4400400	400	635	13,68
HMC4350450	450	685	12,76											HMC4400450	450	685	13,99
HMC4350500	500	735	13,48											HMC4400500	500	735	14,89
HMC4350550	550	785	14,54											HMC4400550	550	785	15,98
HMC4350600	600	835	15,08											HMC4400600	600	835	16,87
HMC4350800	800	1035	18,44											HMC4400800	800	1035	20,61
HMC4351000	1000	1235	22,14											HMC4401000	1000	1235	24,39
ØD 92 ØAL 80 ØS 40														ØD 92 ØAL 80 ØS 50			
HMC5400200	200	474	12,73											HMC5500200	200	474	14,00
HMC5400250	250	524	13,87											HMC5500250	250	524	15,38
HMC5400300	300	574	15,00											HMC5500300	300	574	16,80
HMC5400400	400	674	17,21											HMC5500400	400	674	19,60
HMC5400500	500	774	19,42	1/2"	40	94	28	47	94	28	47	CAGEG09406240	CAGEG09406240	HMC5500500	500	774	22,36
HMC5400600	600	874	21,63											HMC5500600	600	874	25,65
HMC5400800	800	1074	26,15											HMC5500800	800	1074	31,15
HMC5401000	1000	1274	30,57											HMC5501000	1000	1274	36,65
ØD 105 ØAL 90 ØS 50																	
HMC090500300	300	580	20,96														
HMC090500400	400	680	24,30														
HMC090500500	500	780	27,63	1/2"	40	94	28	47	94	28	47	CAGEG09406240	CAGEG09406240				
HMC090500600	600	880	30,96														
HMC090500800	800	1080	37,63														
HMC090501000	1000	1280	44,30														
ØD 115 ØAL 100 ØS 50														ØD 115 ØAL 100 ØS 60			
HMC6500200	200	530	23,95														
HMC6500250	250	580	25,95														
HMC6500300	300	630	27,45											HMC6600300	300	630	29,95
HMC6500400	400	730	30,95											HMC6600400	400	730	33,95
HMC6500500	500	830	34,45	1/2"	50	120	40	60	120	40	60	CAGEN12040050 + CGE0500000	CAGEN12040050 + CGE0500000	HMC6600500	500	830	37,95
HMC6500600	600	930	37,95											HMC6600600	600	930	41,95
HMC6500800	800	1130	44,95											HMC6600800	800	1130	50,45
HMC6501000	1000	1330	51,95											HMC6601000	1000	1330	58,95

Материал гильзы - сталь St 52.3 по стандарту DIN 2393 ISO H9

Материал штока - сталь по UNI C45 SAE 1045, толщина хромового покрытия штока 25 мкм

Максимальное рабочее давление - 210 бар